

5000 Series USB3.0 Area Scan Camera

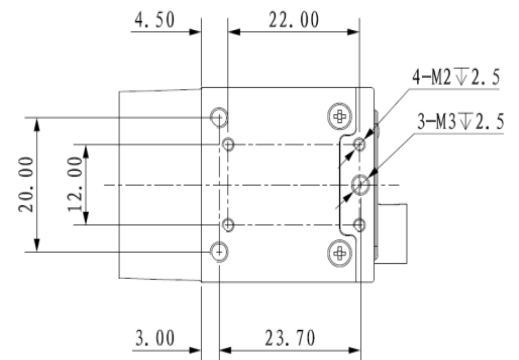
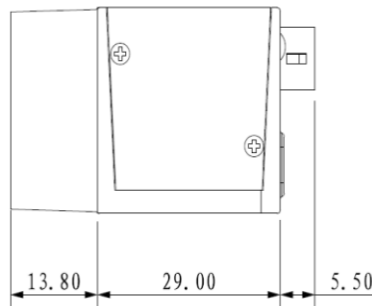
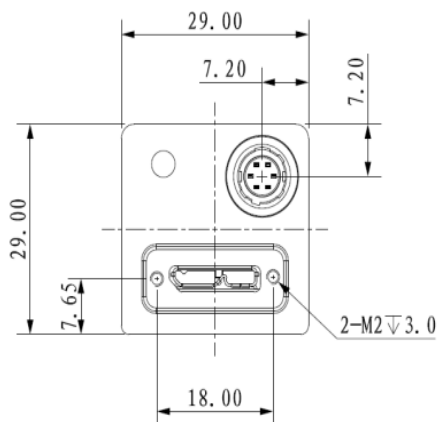
A5201CU150E

Product Features

- USB3.0 interface, 5Gbps theoretical transfer bandwidth, power supply via USB interface;
- Compact size of 29mmx29mmx29mm;
- 128MB on-board cache for data transmission or image resend;
- Support Software Trigger/Hardware Trigger/Free Run Mode;
- Support ISP functions including Sharpness/Denoising/Gamma/LUT/BlackLevel Correction/TargetBrightness/Contrast etc.;
- Support interpolation, white balance, color conversion matrix, chroma, saturation, etc.;
- Support multiple image data formats output/ ROI/Mirror, etc.;
- Compatible with USB3.0 Vision protocol and GenICam standard;
- Conform to CE, FCC, RoHS;



Dimensions (mm)



Technical Specifications

Model Name	A5201CU150E
Sensor	PYTHON 2000
Sensor Type	CMOS
Shutter	Global
Resolution	1920 x 1200
Frame Rate	150
Bit Depth	10
Mono/Color	Color
Pixel Size	4.8 x 4.8
Pixel	2.3MP
S/N Ratio	38dB
WDR	60dB
Image Format	BayerRG8/10/10Packed, BayerGB8/10/10Packed
Decimation	Support
ROI	Support
X-axis Flip	Support
Y-axis Flip	Support
Gain	1~32
White Balance	automatic white balance
Gamma	From 0 ~ 4,support LUT
Exposure Time	60μS~1S
Sync Mode	Software Trigger/Hardware Trigger/Free Run Mode
SPC	Support
FPN	Support
User Setting	Support two sets of user-defined configurations
Cache	64MB image cache
Port	USB3.0
GPIO	1x Opto-isolated input, 1x Opto-isolated output, 1 configurable input and output
Lens Mount	C-Mount
Power Supply	power supply via USB interface/ DC 9V~24V power supply via Hirose interface
Power Consumption	≈3.8W
Dimensions	29mm*29mm*29mm
Weight	60g
Working Environment	Storage: - 30°C~+80°C; Operation: - 30°C~+50°C

© 2021 IRAYPLE. All rights reserved. Design and specifications are subject to change without notice.
Pictures in the document are for reference only, and the actual product shall prevail.